

UHP TDR4 PRESSURE REGULATORS

High flow tied diaphragm



FEATURES

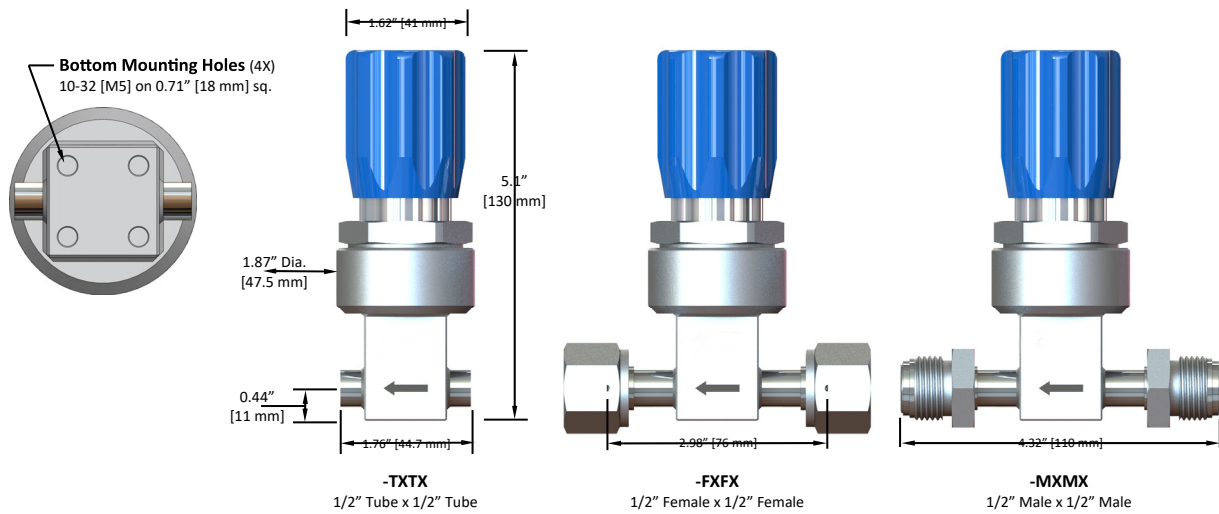
- Compact Body with High Flow Capacity
- Tied Diaphragm Positive Shut-off Feature
- Multiple Outlet Pressure Ranges

TECHNICAL DATA

Specification	T-R203	T-R206	T-R210	T-R215
Outlet Pressure Range	5 to 30 psig (0.4 to 2 bar)	5 to 60 psig (0.4 to 4 bar)	5 to 100 psig (0.4 to 7 bar)	5 to 150 psig (0.4 to 10 bar)
Maximum Inlet Pressure	2,400 psig (165 bar)			
Proof / Burst Pressure	150% / 300% of operating pressures			
Flow Coefficient	0.8 Cv comparative performance*			
Operating Temperature	-20° to 160° F (option: Vespel™ -20° to 300° F)			
Helium Leak Rate - Inboard	1 x 10 ⁻⁹ scc/s He			
Supply Pressure Effect	3.2 psig outlet pressure increase per 100 psig inlet pressure decrease			
Wetted Surface Roughness	10 Ra Max			
Wetted Surface Body Mat'l	Electropolished 316L VAR Stainless Steel			
Wetted Surface Other Mat'l	Diaphragm: Elgiloy™, Seat: PCTFE (optional Vespel™), Poppet: (optional Hastelloy™ C-22), Poppet Spring: 316SS-EP			

* Flow Capacity is comparable to other manufacturers Cv of .8
Actual calculated Cv is .25, refer to flow charts to compare.

DIMENSIONS



ORDERING INFORMATION T-R210-TDR4-2A-TXX-VS

OUTLET PRESSURE RANGE

- T-R203 - 5 to 30 psig
- T-R206 - 5 to 60 psig
- T-R210 - 5 to 100 psig
- T-R215 - 5 to 150 psig

BODY SERIES

TDR4 - Tied Diaphragm, High Flow Series

PORTING

- 2A - 2 Port inline
- 3D - 3 Port (2 port inline with 1 outlet gauge port)
- 4M - 4 Port (2 port inline with 2 gauge ports)

1 2 3 4
Ports

OPTIONS

- VS - Vespel™ Seat
- C22 - Hastelloy™ Poppet

TDR4 CONNECTIONS

- X - (No port)
- T - 1/2" Tube Stub
- F - 1/2" Female Face Seal
- M - 1/2" Male Face Seal
- I - 1/4" Internal "Gasket-less" Face Seal
- 6 - 3/8" Tube Stub
- 12 - 3/4" Tube Stub

FLOW CHART

